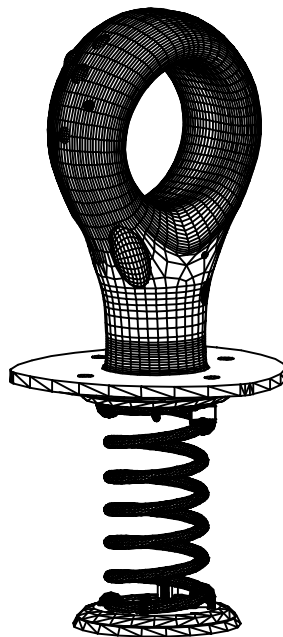
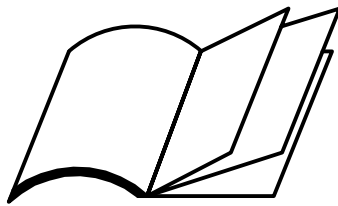


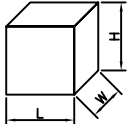
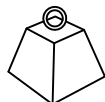

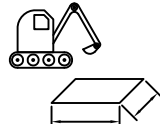
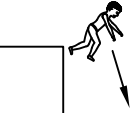

# HAGS

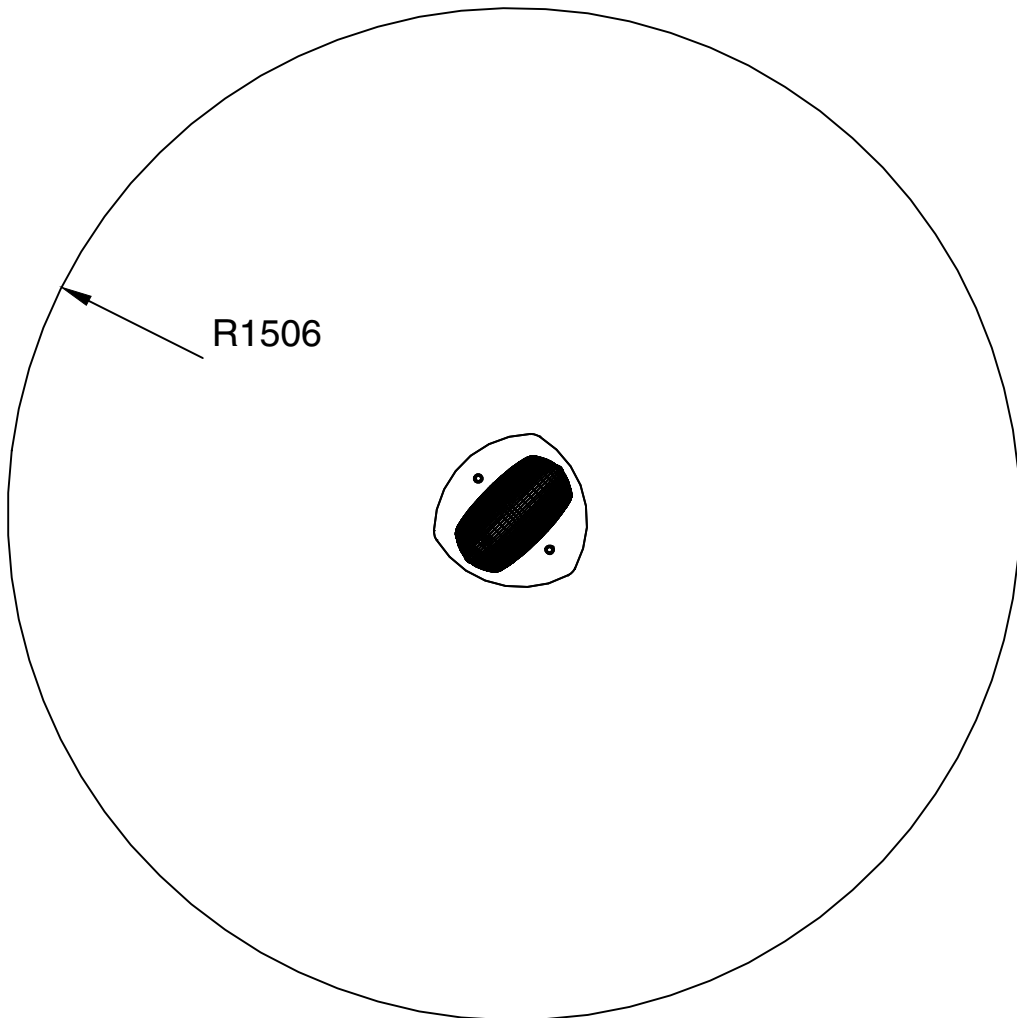
**ZINGO BOING**

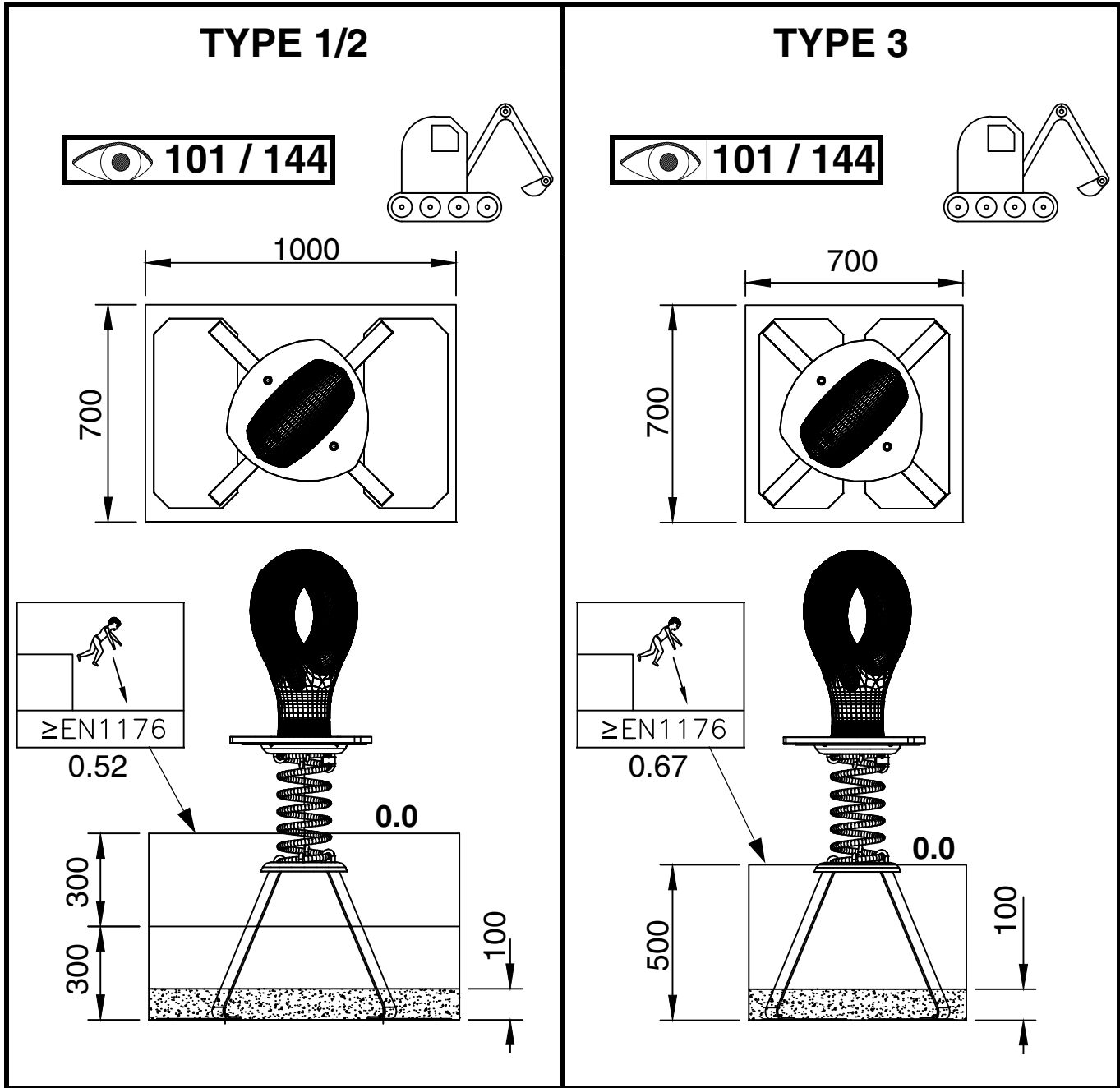
**X - BSB**

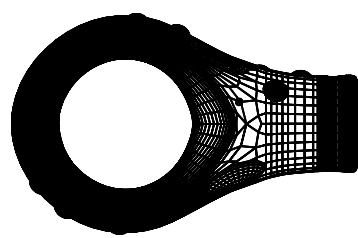
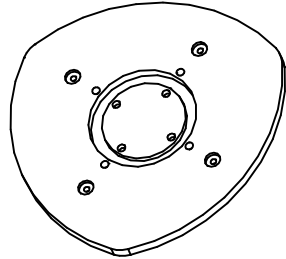


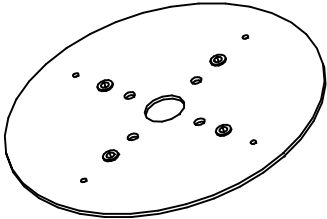
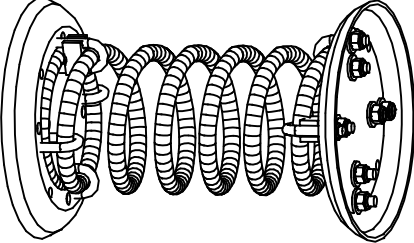
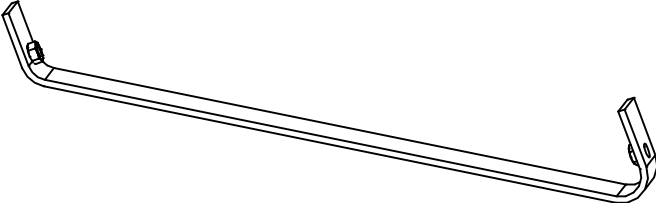
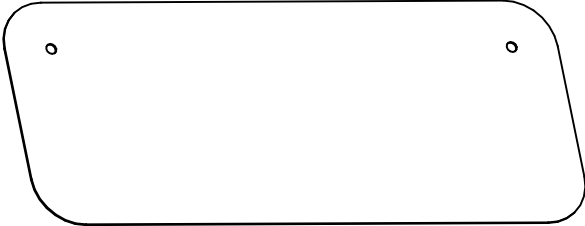
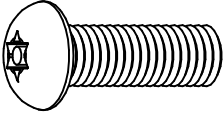
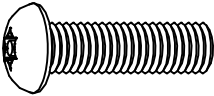
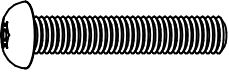
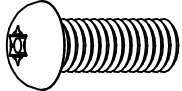


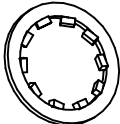
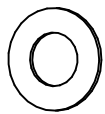
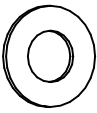
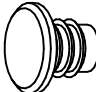
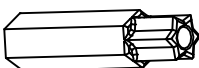

|                   | <br>LxWxH (m) | <br>kg | <br>m <sup>3</sup> | <br>m | <br>≥EN1176 |  x 2 = T |
|-------------------|------------------------------------------------------------------------------------------------|-----------------------------------------------------------------------------------------|-----------------------------------------------------------------------------------------------------|-----------------------------------------------------------------------------------------|------------------------------------------------------------------------------------------------|---------------------------------------------------------------------------------------------|
| <b>TYPE 1 / 2</b> | Ø0.49 x 1.00                                                                                   | 34                                                                                      | 0.07                                                                                                | Ø4                                                                                      | 0.52m                                                                                          | T = 2h                                                                                      |
| <b>TYPE 3</b>     |                                                                                                |                                                                                         | 0.05                                                                                                |                                                                                         | 0.67m                                                                                          |                                                                                             |



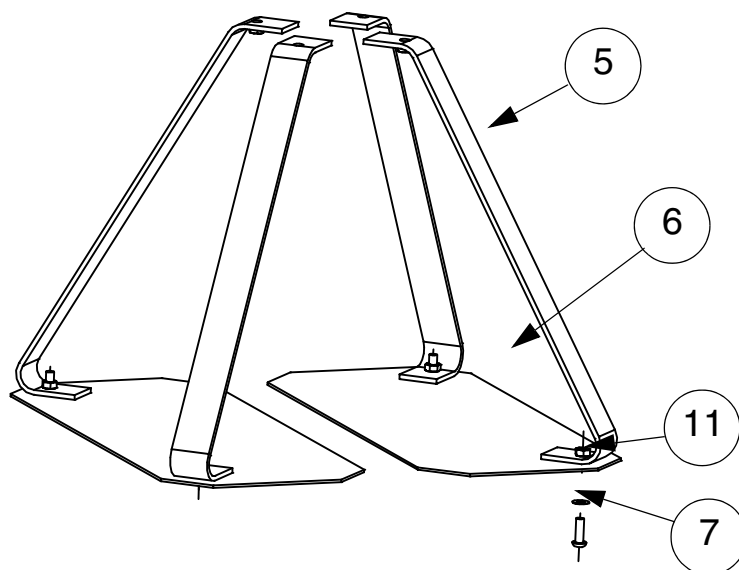


| ITEM | REF      |                                                                                     | QTY. | kg.  |
|------|----------|-------------------------------------------------------------------------------------|------|------|
| 1    | 55070030 |  | 1    | 3.00 |
| 2    | 56030020 |  | 1    | 2.50 |

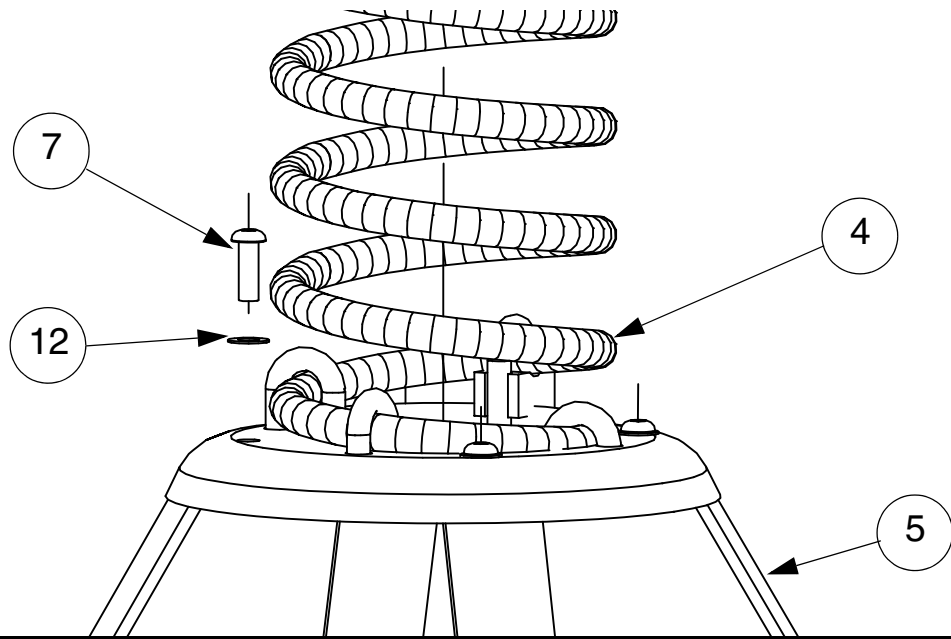
| ITEM | CODE      | DESCRIPTION                                                                                     | QTY. | WEIGHT kg. |
|------|-----------|-------------------------------------------------------------------------------------------------|------|------------|
| 3    | 56030010  |                | 1    | 5.00       |
| 4    | 56029999  |               | 1    | 23.0       |
| 5    | 86009002  |               | 4    | 2.50       |
| 6    | 86009001  |             | 2    | 2.50       |
| 7    | 10121030  | <br>M10 X 30 | 8    | 0.028      |
| 8    | 10121035  | <br>M10 X 35 | 4    | 0.032      |
| 9    | 10121065M | <br>M10 X 55 | 4    | 0.048      |
| 10   | 10120616  | <br>M6 X 16  | 4    | 0.007      |

| ITEM | CODE     | DESCRIPTION                                                                                        | QTY. | WEIGHT kg. |
|------|----------|----------------------------------------------------------------------------------------------------|------|------------|
| 11   | 10301000 | <br>M10 12X18X1   | 8    | 0.002      |
| 12   | 10291000 | <br>M10 11X21X1   | 8    | 0.002      |
| 13   | 10290600 | <br>M6 6.4X12.6X1 | 4    | 0.001      |
| 14   | 10930600 | <br>M6            | 4    | 0.006      |
| 15   | 10121000 | <br>T45 M10      | 1    | -          |
| 16   | 10120600 | <br>T30 M6      | 1    | -          |

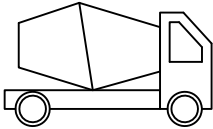
## STEP 1



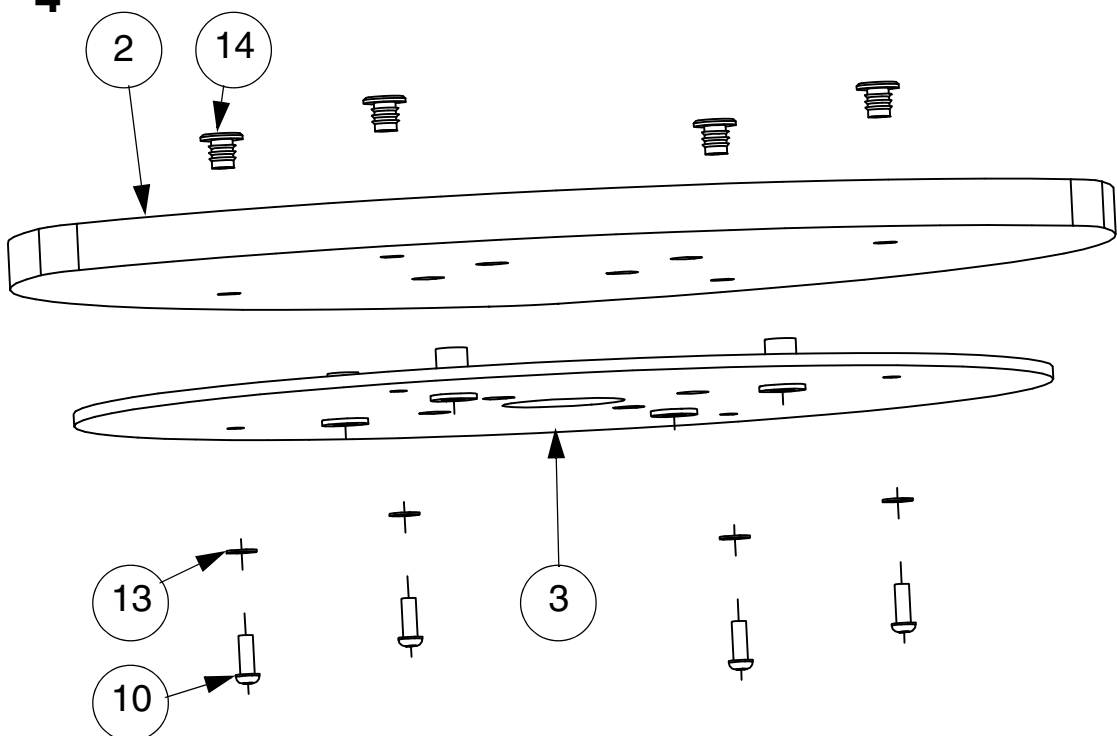
# STEP 2



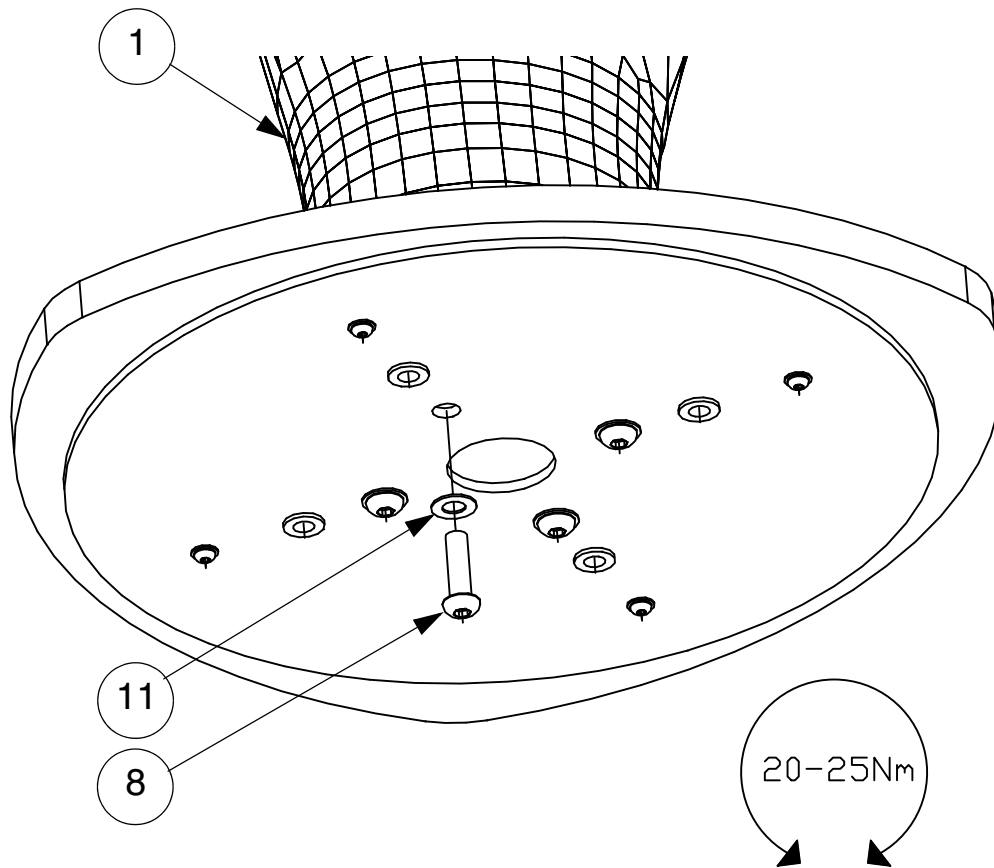
# STEP 3

|                                                                                    |
|------------------------------------------------------------------------------------|
|  |
| S2 (50mm)                                                                          |
| ≥C20-25                                                                            |
| 🕒 7 x 24h                                                                          |
| 👁️ 101                                                                             |

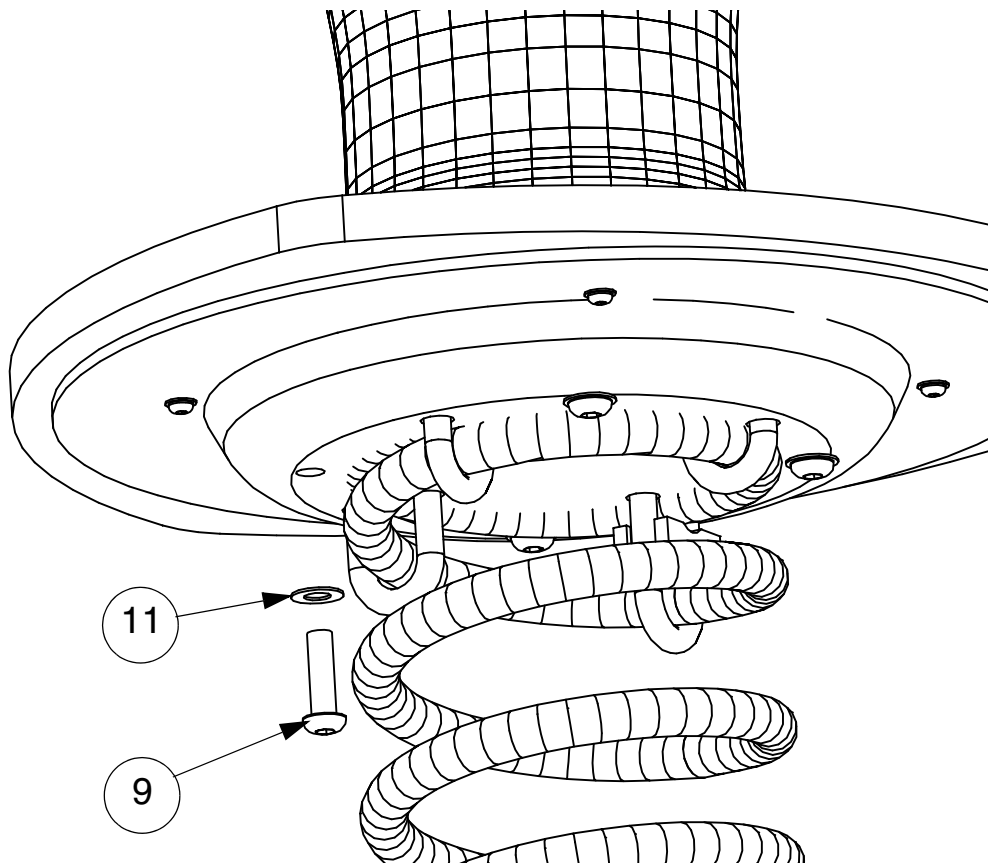
# STEP 4



# STEP 5



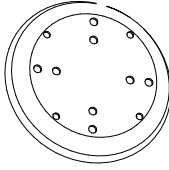
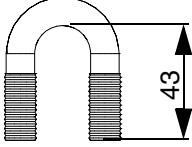

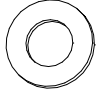
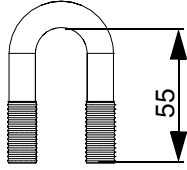
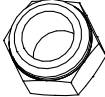
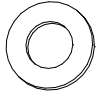
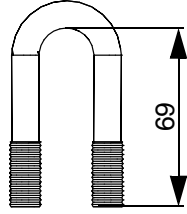
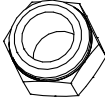
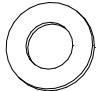
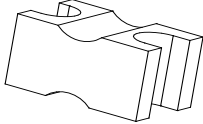
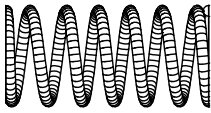
# STEP 6



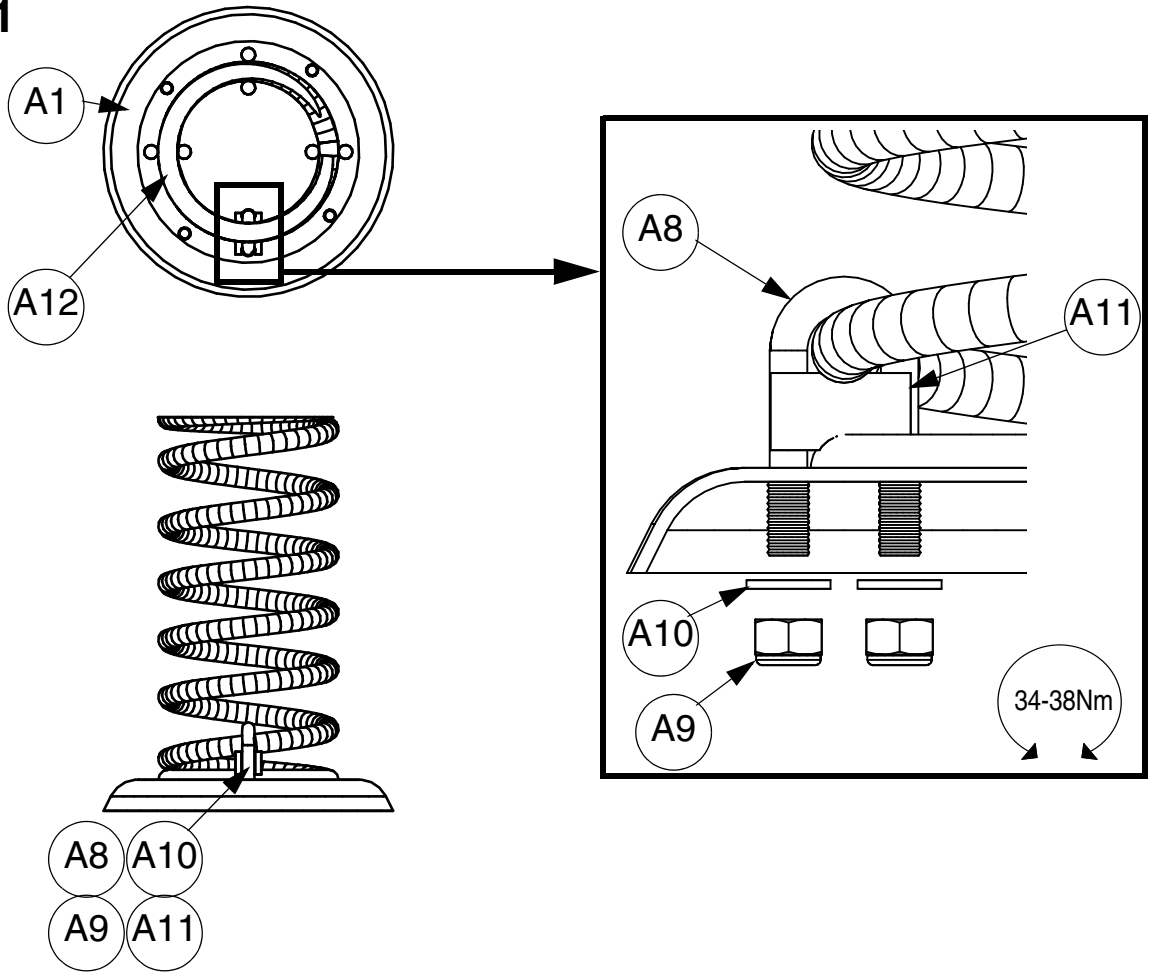


**Appendix A:**

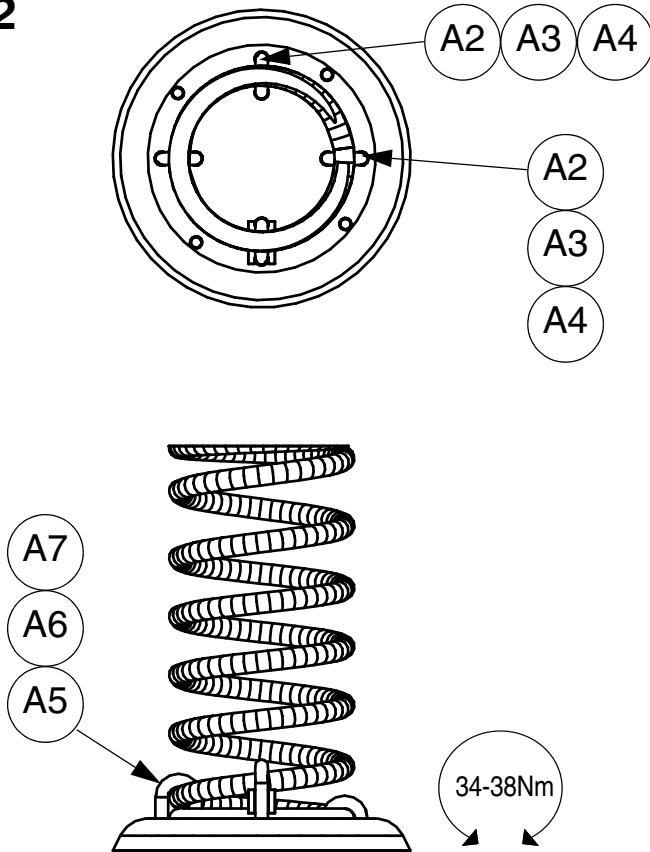
**REF 56029999**

| ITEM | REF       |                                                                                      | QTY. | WEIGHT Kg. |
|------|-----------|--------------------------------------------------------------------------------------|------|------------|
| A1   | 86009003  |     | 2    | 2.500      |
| A2   | 86009006A |     | 4    | 0.080      |
| A3   |           |     | 8    | 0.010      |
| A4   |           |     | 8    | 0.003      |
| A5   | 86009006B |    | 2    | 0.100      |
| A6   |           |   | 4    | 0.010      |
| A7   |           |   | 4    | 0.003      |
| A8   | 86009006C |   | 2    | 0.120      |
| A9   |           |   | 4    | 0.010      |
| A10  |           |   | 4    | 0.003      |
| A11  | 86009007  |   | 2    | 0.001      |
| A12  | 86009005  |  | 1    | 8.000      |

# STEP 1



# STEP 2



**STEP 3**