

Safety Checklist after first assembly

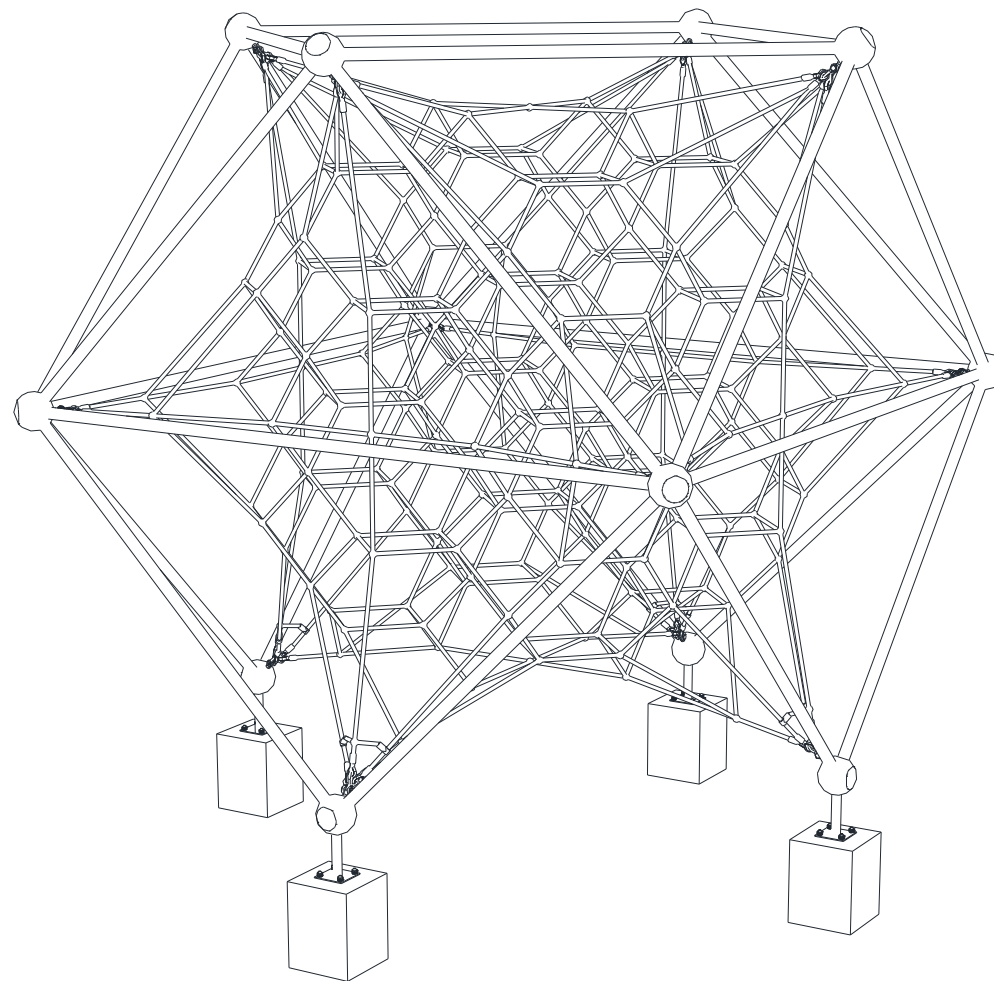
● **Test intervals of Safety: 6 months**

● **Test Component and contents:**

1. Removing the reticulated system:
 - Check of removing condition each rope
 - Screwing the turn buckle and conversion the turnbuckle in anchors plate(see for this workstep turnbuckle assembly)
2. Abrasion condition of rope:
 - Checking of all rope surface
 - Strengthened of rope: Coating on the surface
3. Attachment condition of the anchors plate and turnbuckle
4. Screwing condition of all bolt
5. Galvanizing condition of the steel component:
 - Protection of steel component from corrosion.

● **Measure**

In case of the appearance the defect detail is repaired usually within 3 days after checking.



Features

The series is a steel-framed climbing structure made of steel-loaded Nylon cables and comes protected against UV.

The GS-W803 features GS Web Technology which includes the highest steel content and the strongest connection materials in the industry, including a steel-wire core in our edge ropes and connection points crushed in place with over 75 tons of pressure to ensure long life of the games and maximum safety for the children.

GS Web Nets help bring movement, balance, exercise and fun back into the playground.

Ages : 5 to 12 years

Capacity : 30 children

Size : L : 11'12" / 3.65m

W : 11'12" / 3.65m

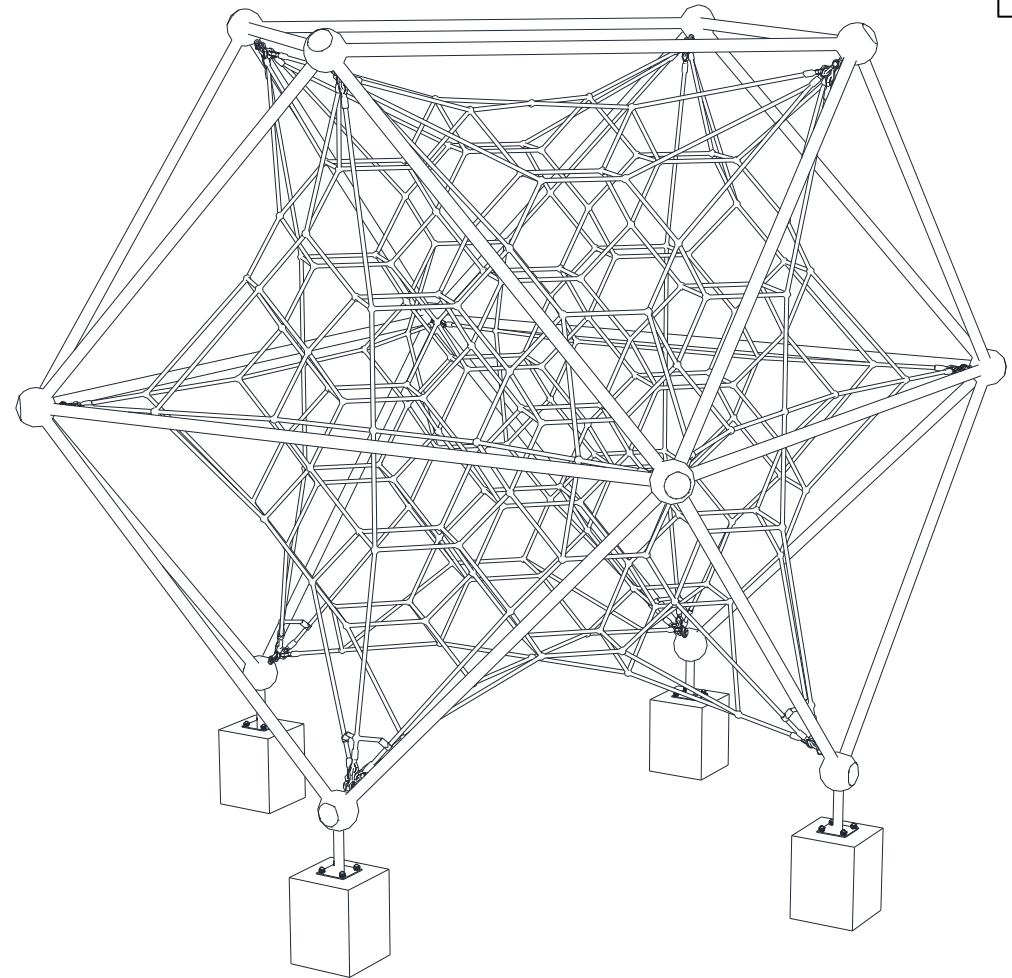
H : 11'12" / 3.65m

Use zone : L : 24' 1" / 7.34 m

(EN) W : 24'1" / 7.34 m

Use zone : L : 24' 10" / 7.56 m

(ASTM) W : 24' 10" / 7.56 m



▲ Completed Net

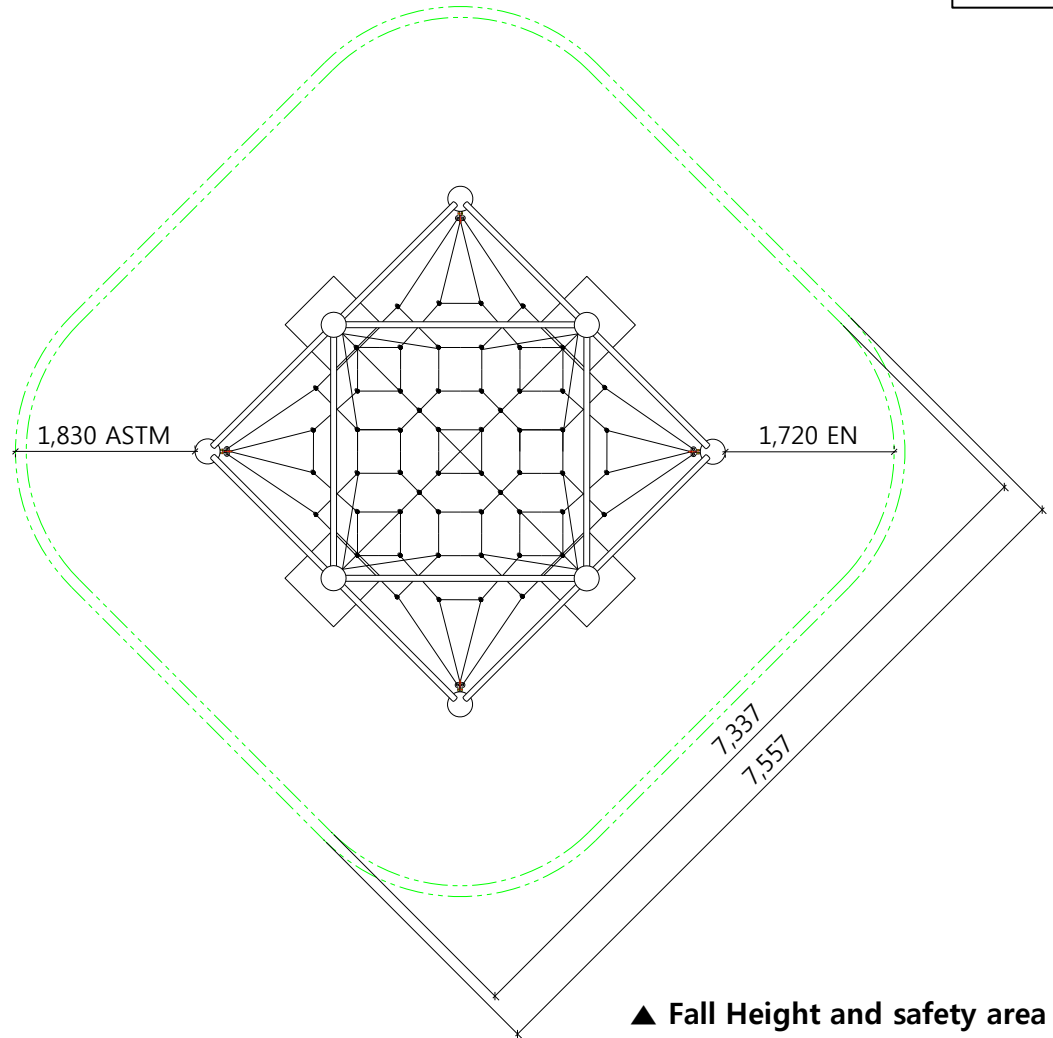
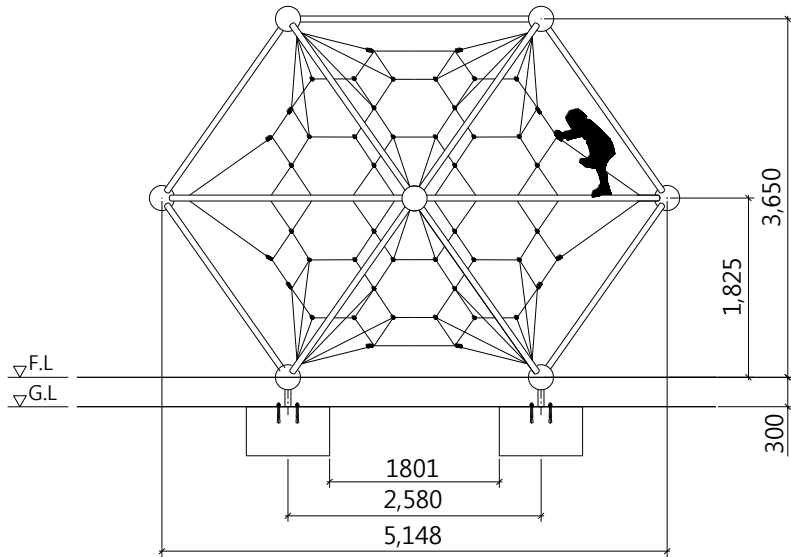
Rev_1
2016.03.

Safety area

The requirements for space and safety clearances are taken from BS-EN 1176-1 / ASTM-F1487 / CSA Z614
The use zone for stationary play equipment shall extend no less than 72 in. (1830mm) from all sides of the play structure.

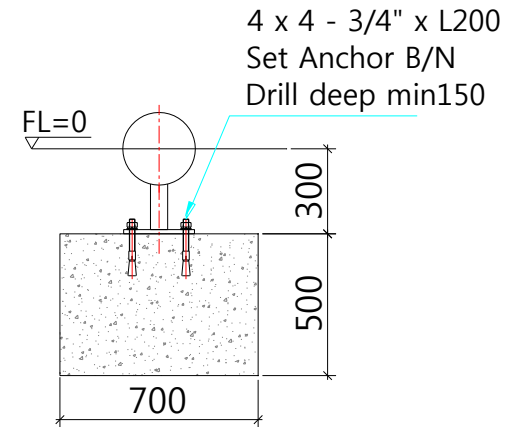
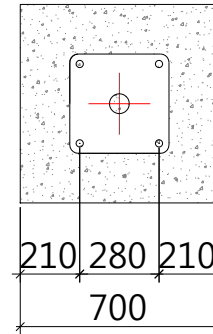
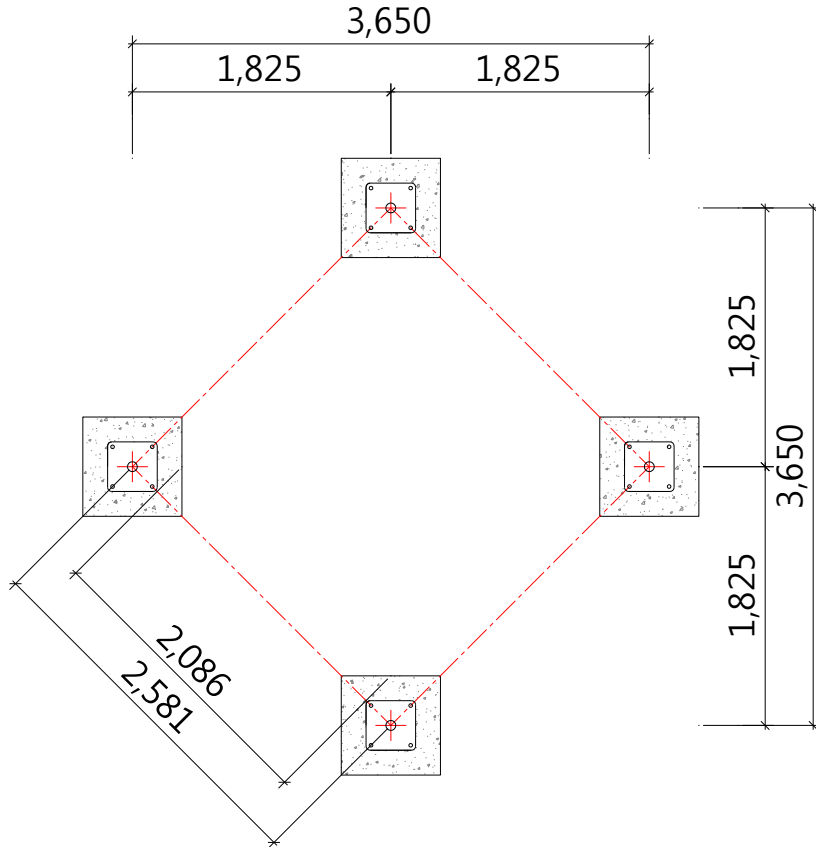
Fall Height : 1825mm (from surface)

The Fall height on the external surface of a pyramid shaped space net is the highest point attainable on the edge of the structure where an unimpeded fall to the protective surface is possible. This height is based on the centre of gravity height of the maximum user.

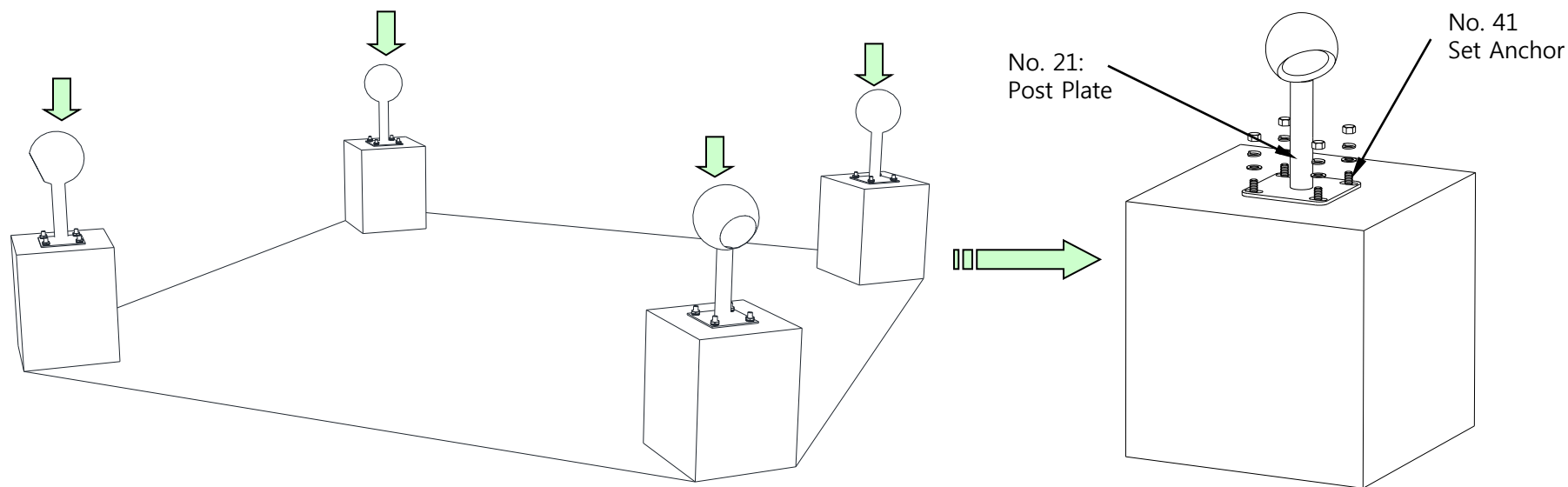


Foundation

Please refer to GS-W803 drawing for exact installation dimensions

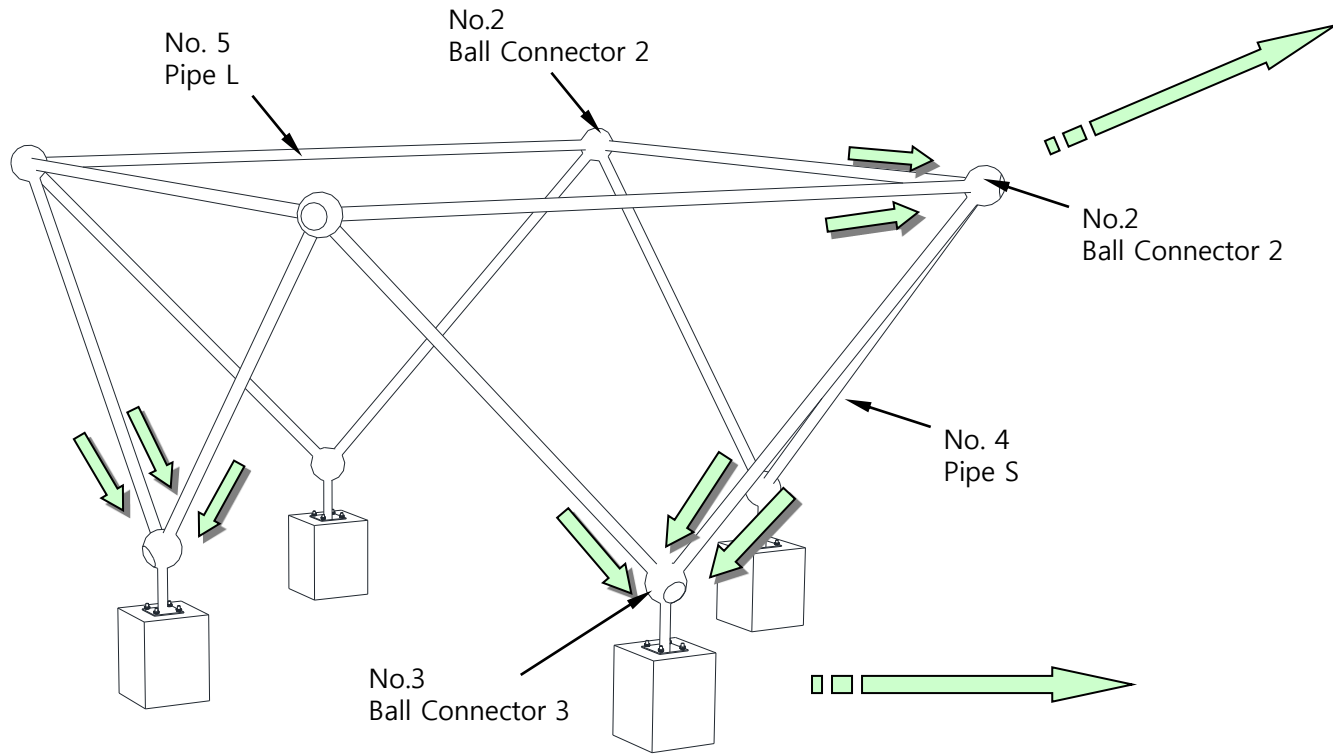


▲ **Attach post plate to footing**

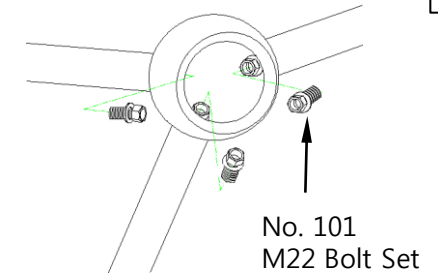


▲ Attach post plate to footing with Set anchor

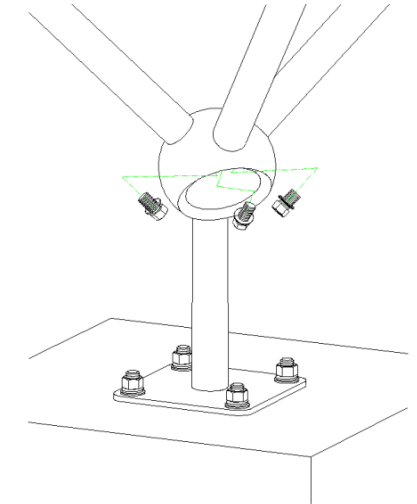
It is strongly recommended that 3-4 workers lift the net into place.



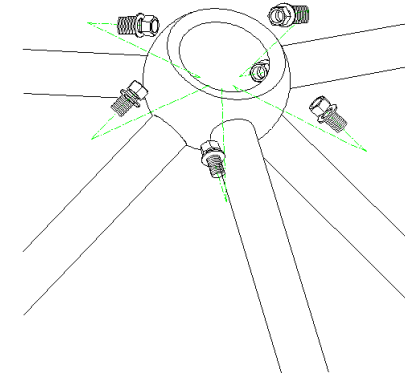
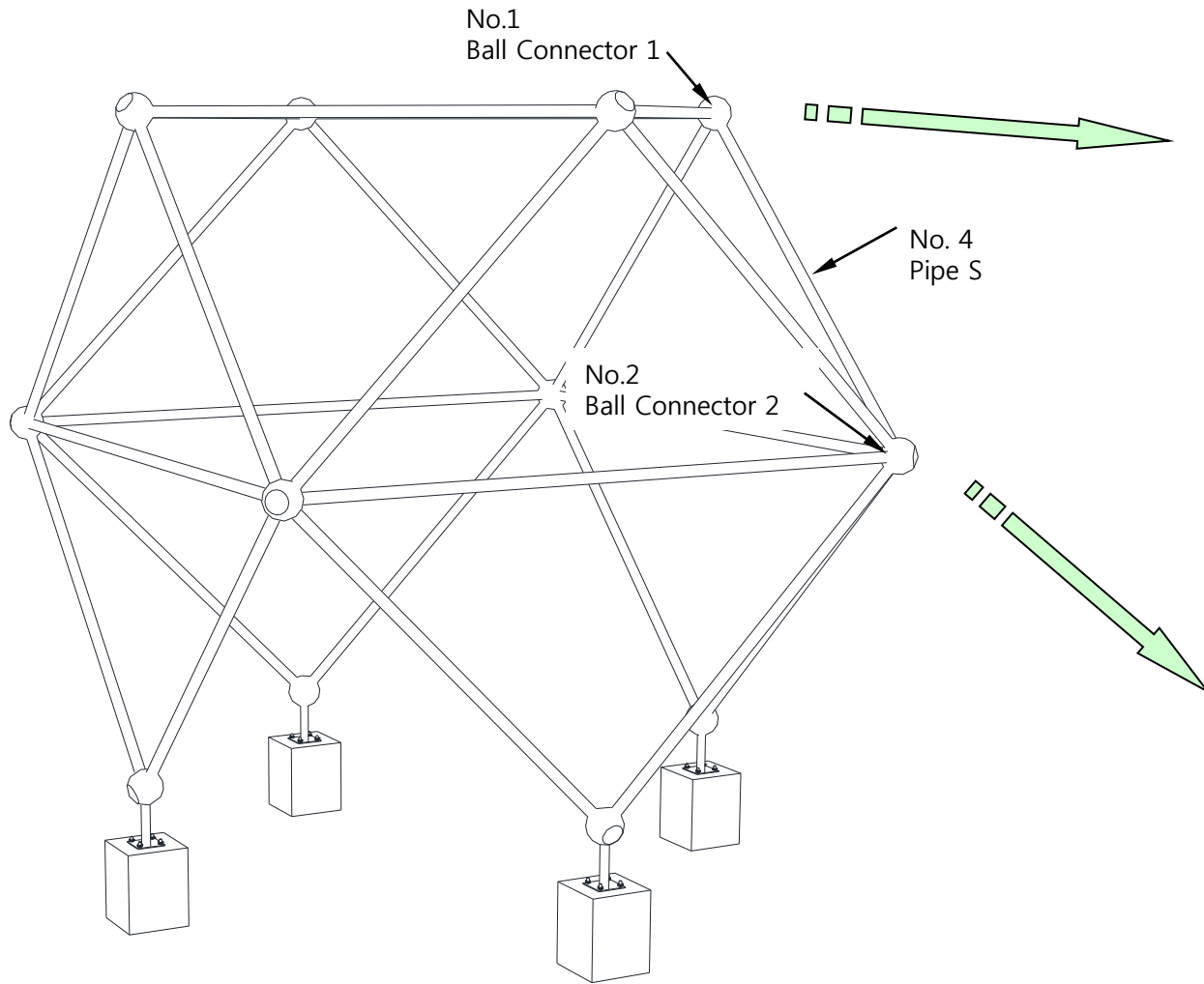
▲ Pipe-Pipe Connector assembly-1



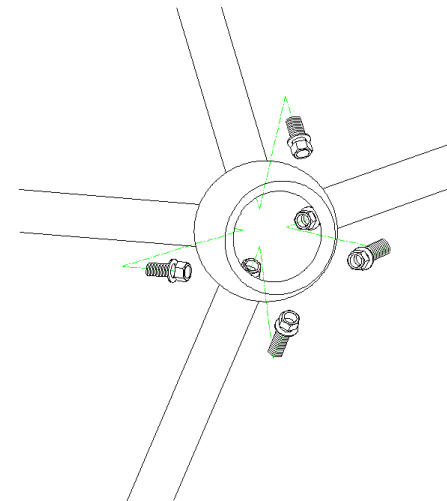
▲ Lower Pipe assembly



▲ Lower Pipe assembly

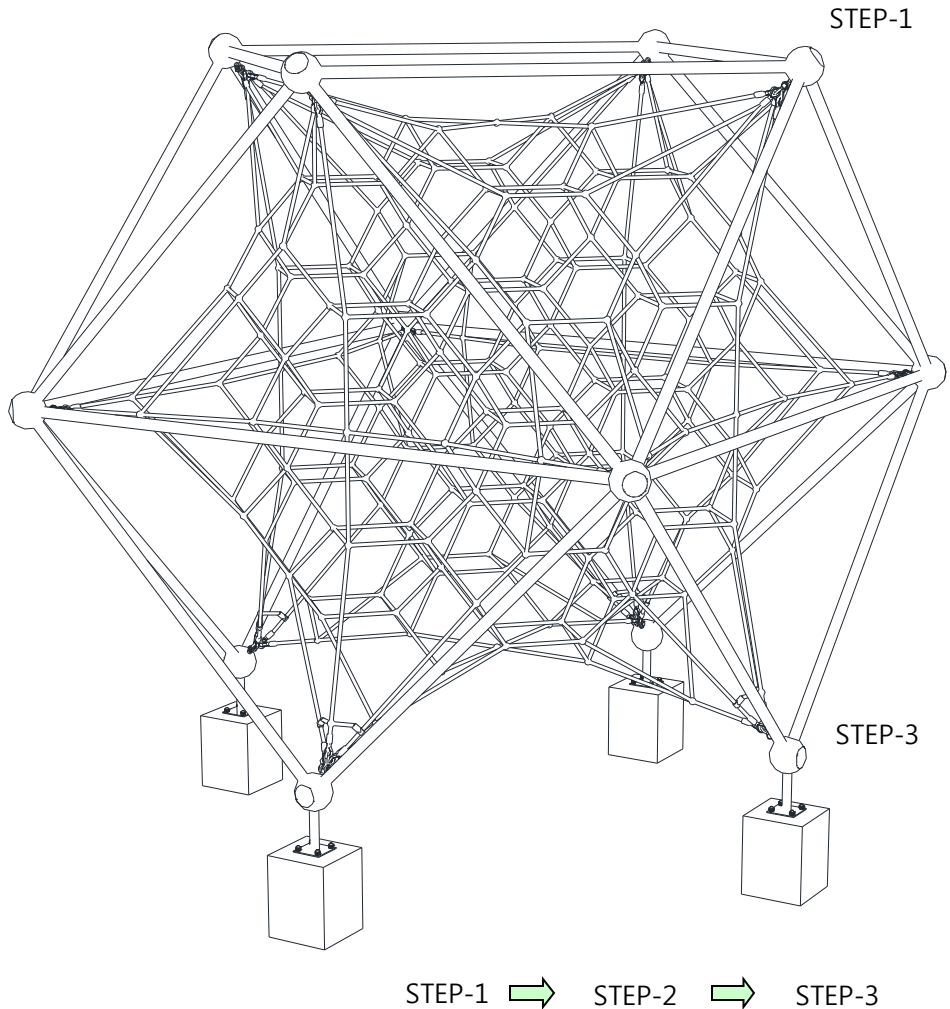


▲ Middle Pipe assembly-2



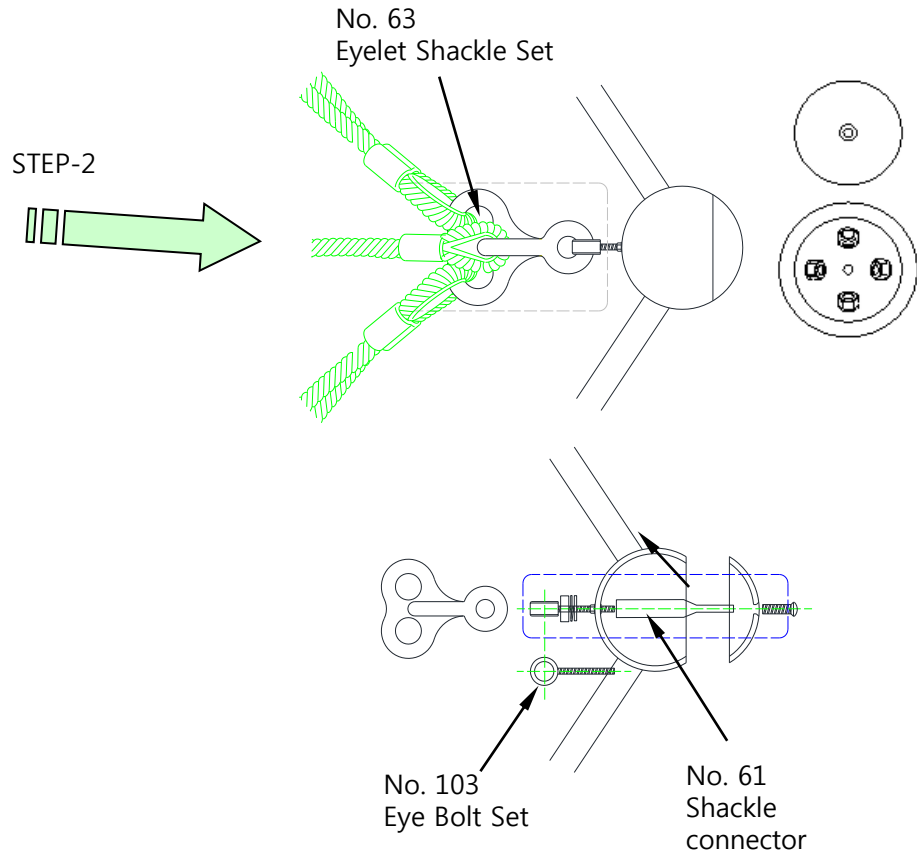
▲ Middle Pipe assembly-3

▲ Pipe- Ball connector assembly-2



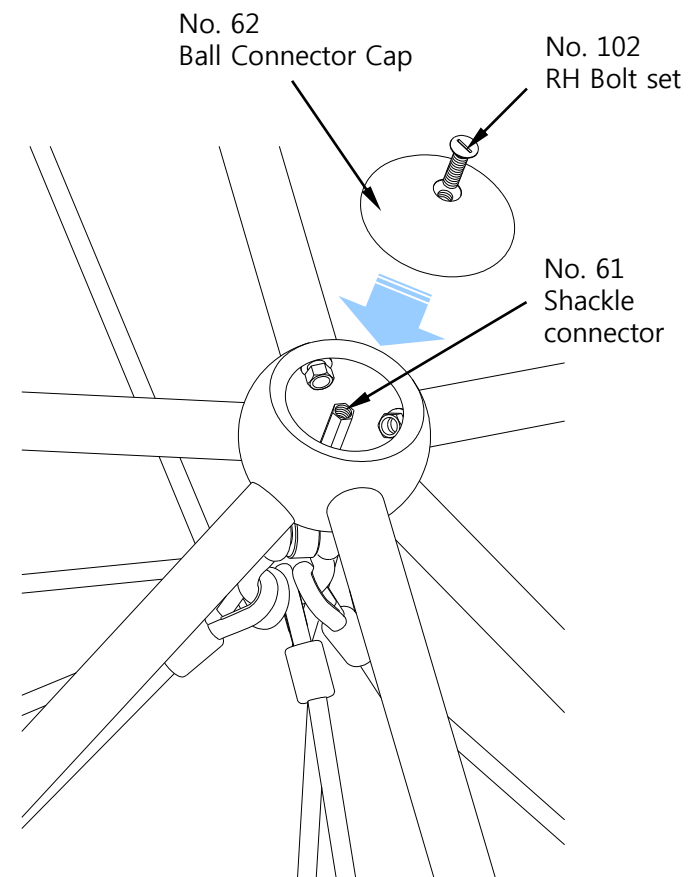
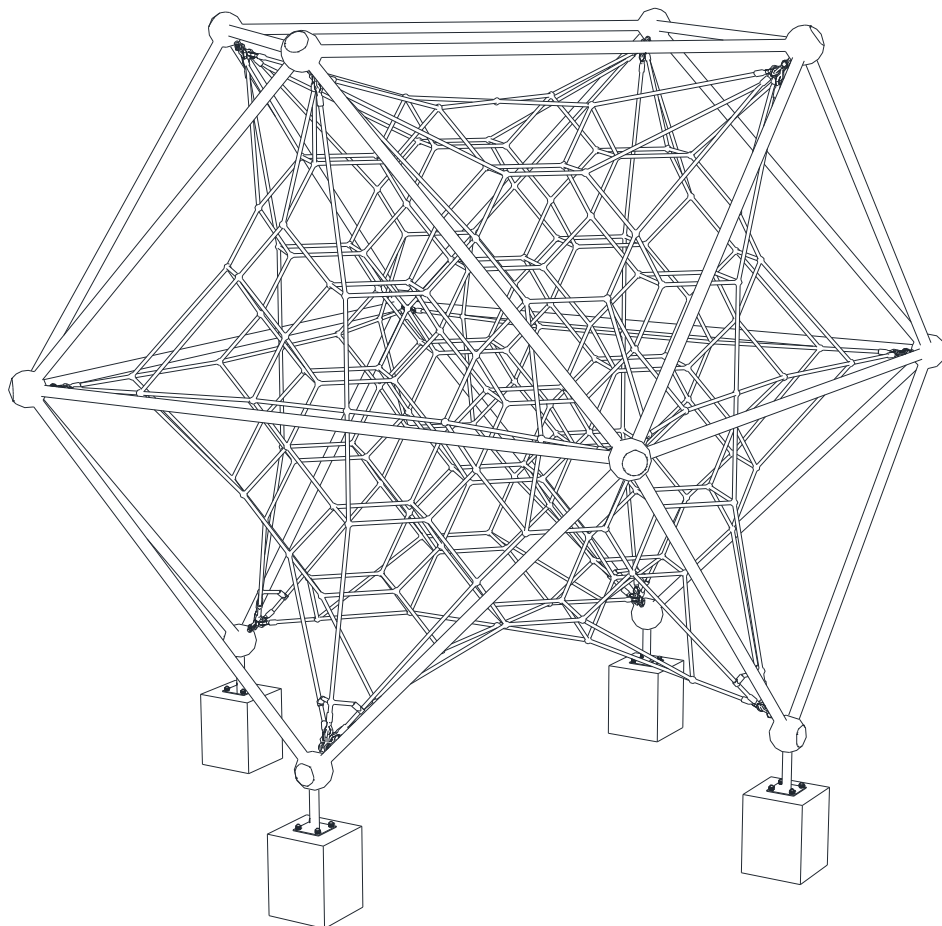
Cable Assembly

After successfully preparing the net and post assembly, attach cable with Eyelet Shackle to Connector as shown below



▲ Attaching Net to Connector with Eyelet Shackle

▲ Middle Shackle Connector assembly Detail



▲ Attaching Cap to Ball Connector

Maintenance information

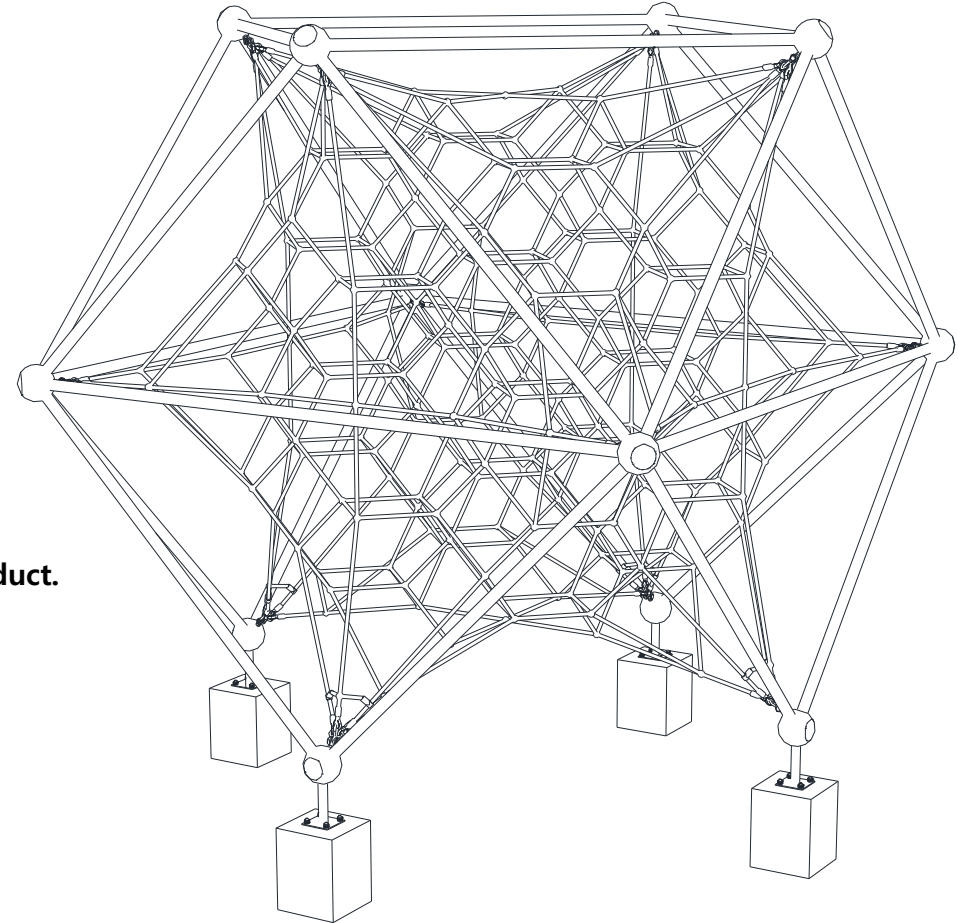
Please tighten rope with Turnbuckle properly.
If you strain the net too much, it may cause damage.
It is also recommended that subsequent checks on tension should be carried out at monthly intervals and adjusted as required.
This will increase the overall longevity of the product.

Checking: 1 month

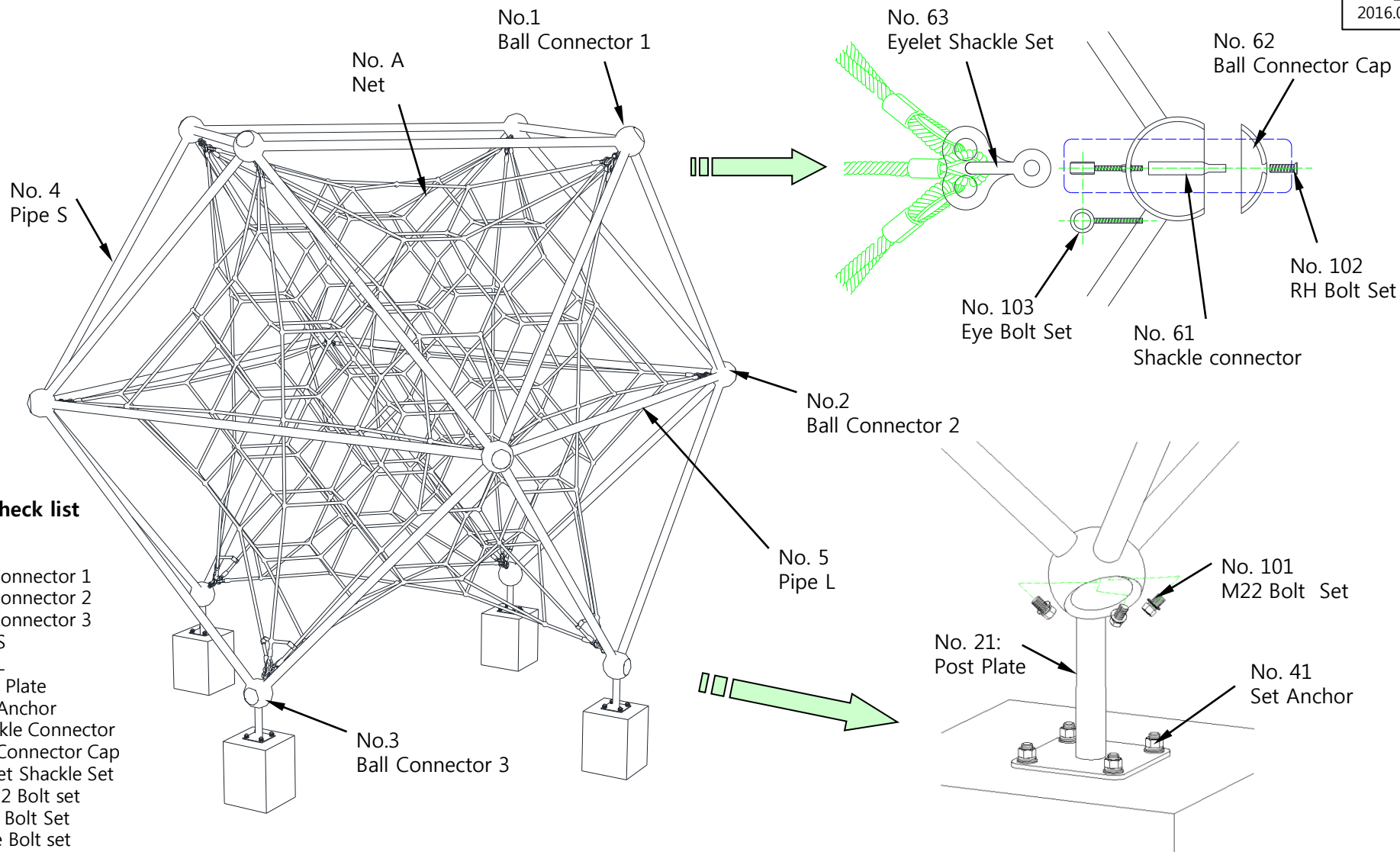
Refer to IPEMA and TUV maintenance system.

After Net structure tension is completed, the net will stretch slightly over the first four weeks of use.
Following this initial period, the net needs to be fully re-tensioned by Turnbuckle after 1 year.

**A weekly check of the activity net is recommended to ensure that no acts of vandalism have damaged the rope.
Periodic checks on tension will assist in the durability of the product.**



▲ Completed Net



Parts check list

- A. Net
- 1. Ball Connector 1
- 2. Ball Connector 2
- 3. Ball Connector 3
- 4. Pipe S
- 5. Pipe L
- 21. Post Plate
- 41. Set Anchor
- 61 Shackle Connector
- 62 Ball Connector Cap
- 63. Eyelet Shackle Set
- 101. M22 Bolt set
- 102. RH Bolt Set
- 103. Eye Bolt set

A. General safety measures

On the playground there should be a sign(pictogram) giving the following information:

- a) general emergency telephone number;
- b) telephone number to contact maintenance personnel;
- c) name of the playground;
- d) address of playground; and
- e) other relevant local information, if applicable.

The entry, exit and emergency paths to and from a playground, intended for use by the public and emergency services, should be accessible and free of obstacles at all times.

NOTE Attention is drawn to local regulations.

B. Procedures

Defects that occur during operation and which put safety at risk should be corrected without delay. If this is not possible, the equipment should be secured against use e.g. by immobilization or removal.

There should be written operational procedures covering the measures to be taken in the event of accidents, fire and the like.

Until unsafe equipment is repaired and released for use, access by the public should be prevented. Information about accidents brought to the attention of the manager should be recorded on a form that includes the following details:

- a) date and time of accident;
- b) age and sex of victim and clothing worn, including footwear;
- c) equipment involved;
- d) number of children on site at the time of the accident;
- e) description of accident;
- f) injury sustained including part(s) of body affected;
- g) action taken;
- h) witness statements;
- i) any subsequent equipment modification;
- j) weather conditions; and
- k) any other relevant information.

C. Routine maintenance

To reduce accidents, the owner or operator should ensure that an appropriate routine maintenance schedule is established, implemented and maintained. This should take into account local conditions and the manufacturer's instructions that can affect the necessary inspection frequency. The schedule should list the components to be maintained and should also give procedures for dealing with complaints and breakdowns.

The routine maintenance of playground equipment and surfaces should consist of preventative measures to maintain their level of safety, performance and compliance with the relevant part(s) of EN 1176. Such measures should include:

- a) tightening of fastenings;
- b) re-painting and re-treatment of surfaces;
- c) maintenance of any impact attenuating surfaces;
- d) lubrication of bearings;
- e) marking of equipment to signify loose fill finished surface level;
- f) cleaning;
- g) removal of broken glass and other debris or contaminants;
- h) restoring loose fills to the correct level; and
- i) maintenance of free space areas.

D. Corrective maintenance

Corrective maintenance should include measures to correct defects, or to re-establish the necessary levels of safety of the playground equipment and surfaces. Such measures should include:

- a) replacement of fastenings;
- b) welding of welding repairs;
- c) replacement of worn or defective parts; and
- d) replacement of defective structural components.

E. Personal safety

Repairs during operation that could put the safety of maintenance personnel of the public at risk, should be avoided.

F. Equipment alterations

Alterations to parts of a piece of equipment or structure that could affect the essential safety of the equipment should only be carried out after consultation with the manufacturer or a competent person.