

Robinia See saw with steel grips		
LE no. 20581	MAIN DRAWING	scale : 1:75

DATE	26.02.2010
REV.	A: 14.04.2011

Legs/tilting beam $\varnothing=140/160$

Tilting fixture and loop grip are made of stainless steel.

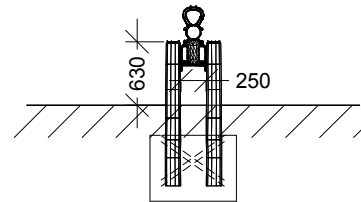
Seesaw fittings to be attached using assembly method 50.

Shock absorber under the tilting beam is made of car tyres.

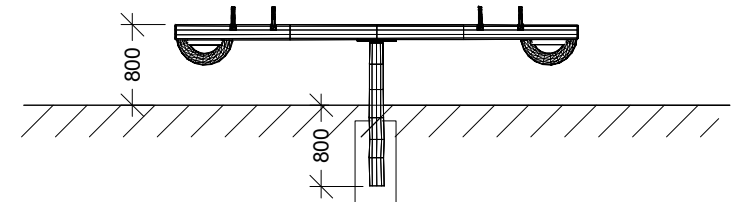
Foundation and marking assembly principle 19B

Concrete required: 12 sacks dry concrete

Free fall height: 1.5 m

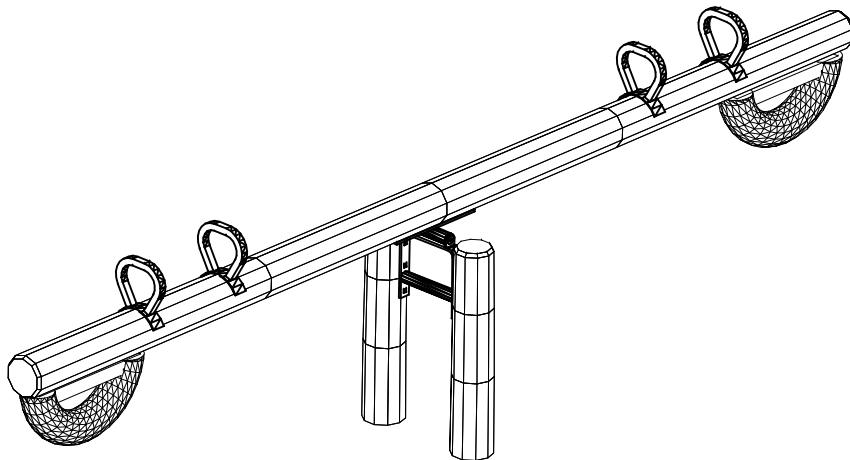


Front

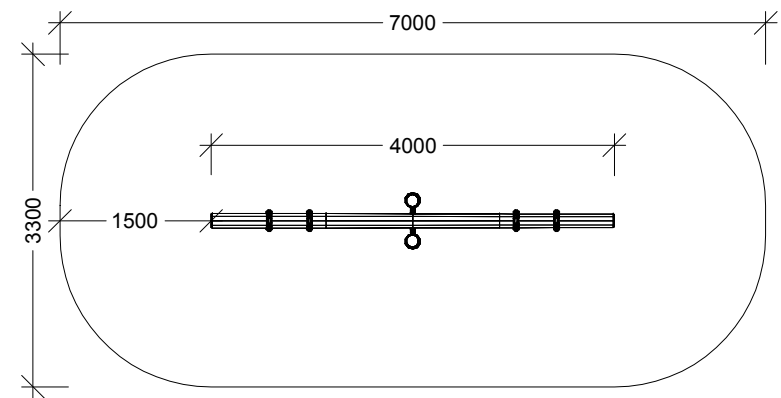


Side view

Posts to be cast in place



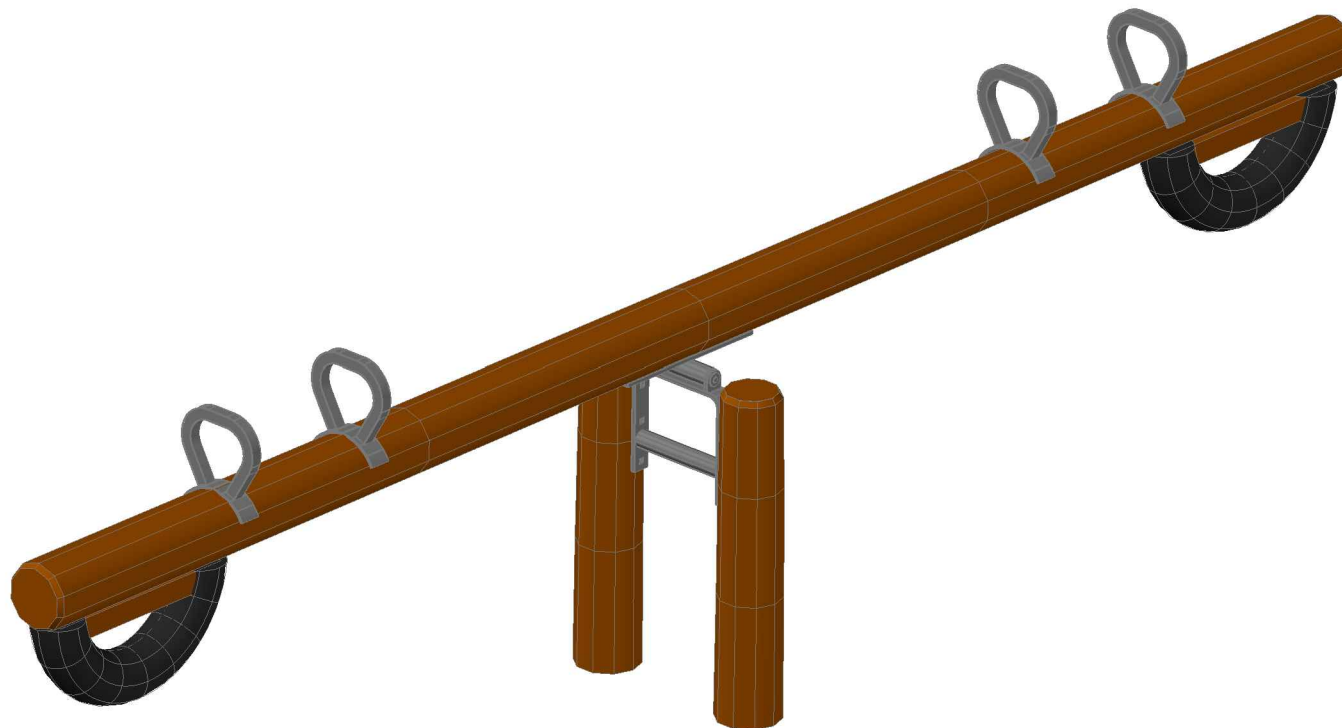
Perspective



Plan

Robinia See saw with steel grips		
LE no. 20581	MAIN DRAWING	scale : 1:75

DATE	26.02.2010
REV.	A: 14.04.2011



Perspective