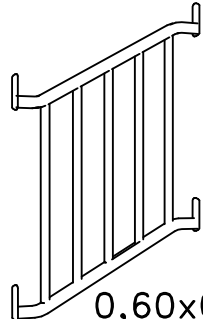
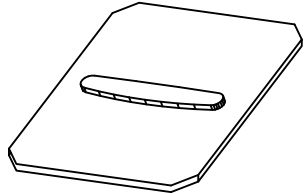
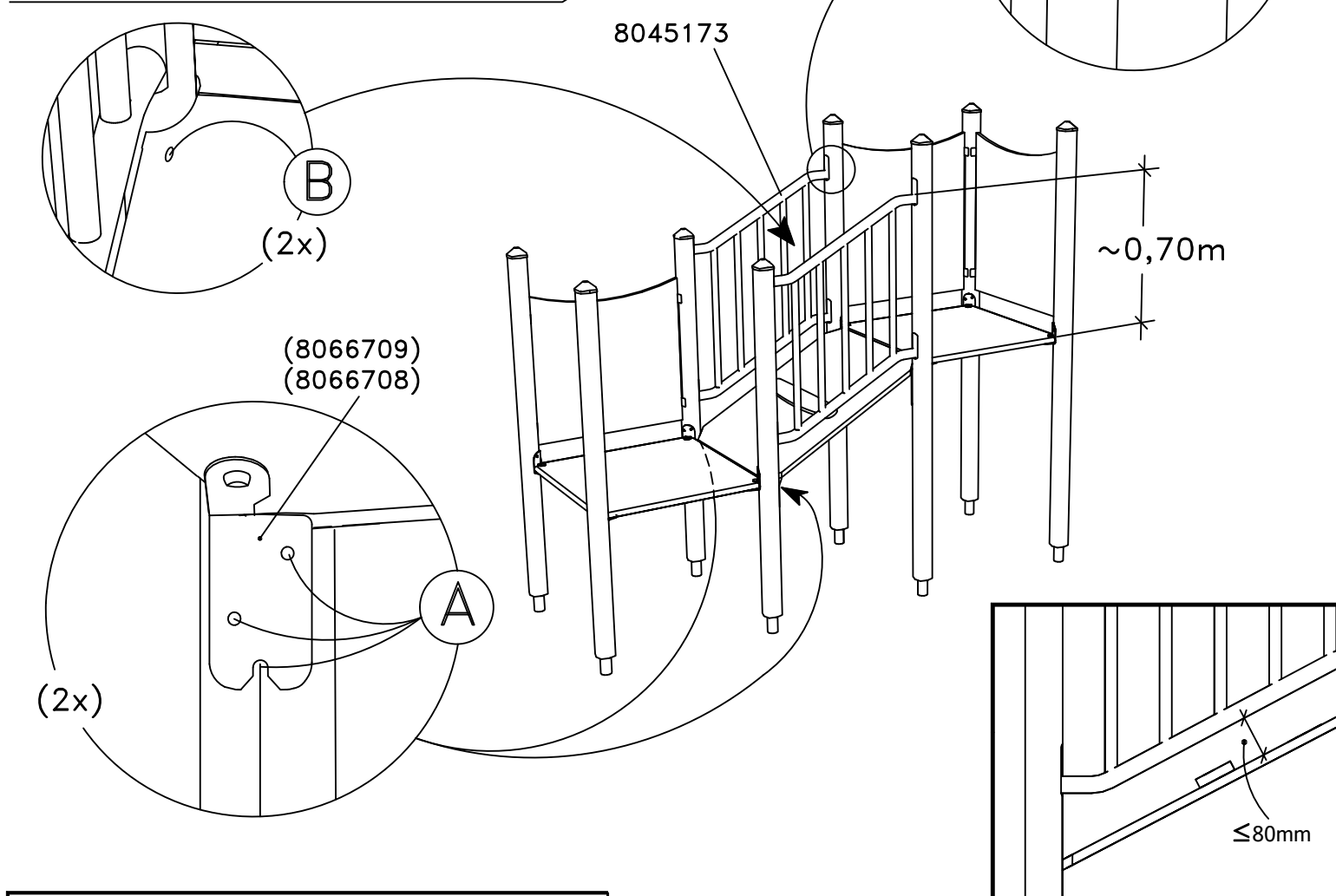
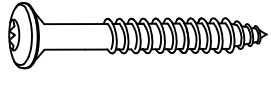

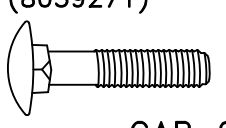
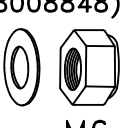

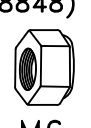





TYPE	HAGS.NO
 0,60x0,66m	8045173 (2x)
 0,67x0,76m	8088483



A	TKFT 6x38 (8008651)		15/7x3 (8035290)	
B	MVBF 6x30 (8039271)		SRB 7x14 (8008848)	
	CAP 6 (8005951)		M6 (8008794)	
			COVER 6 (8005952)	

HAGS ANEBY, SWEDEN
+46(0)380-47300
www.hags.com

Bridge
6123 13
1(1)

 SSV  JGA 2023-06-12 | 3